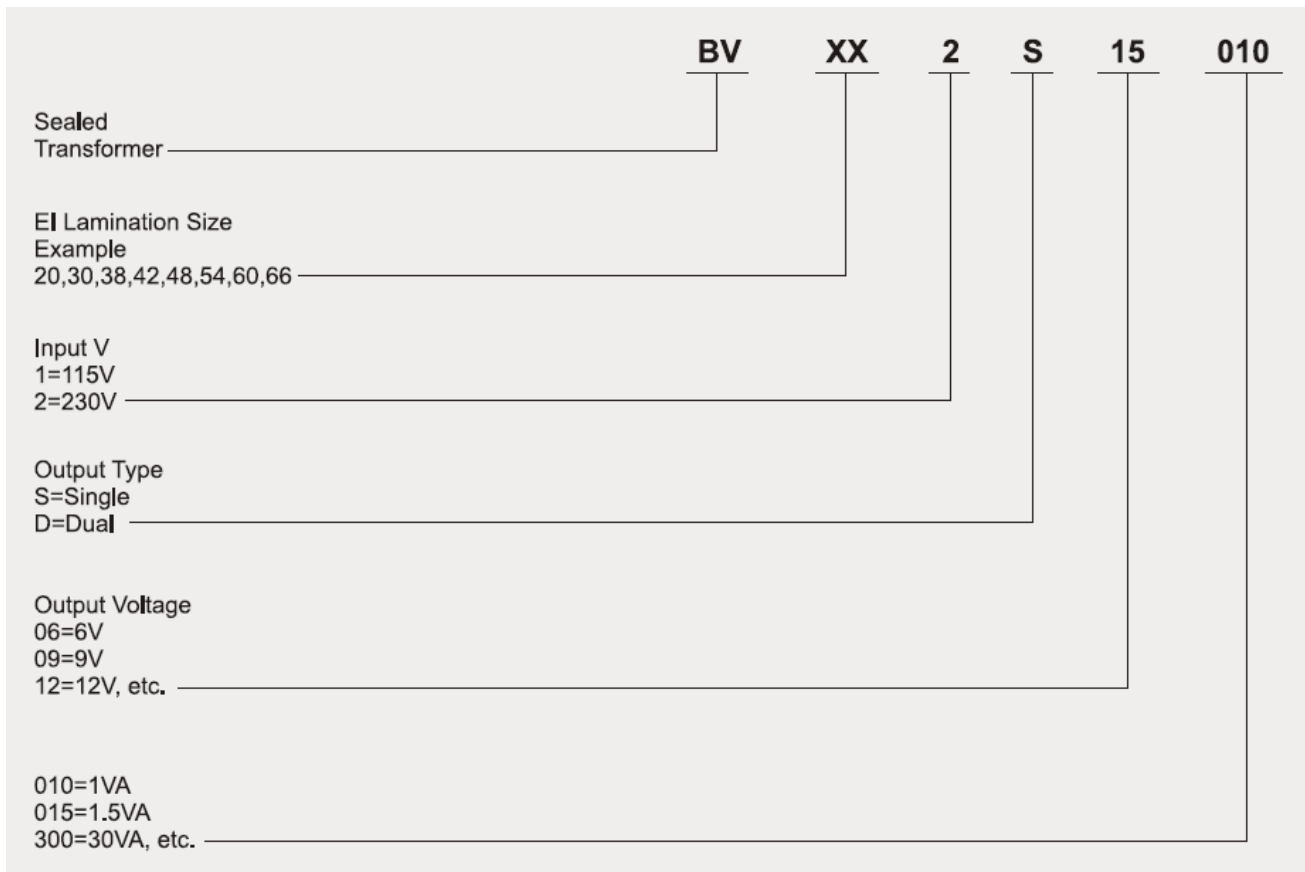


1.5VA SEALED TRANSFORMER EI30X10.5 SERIES



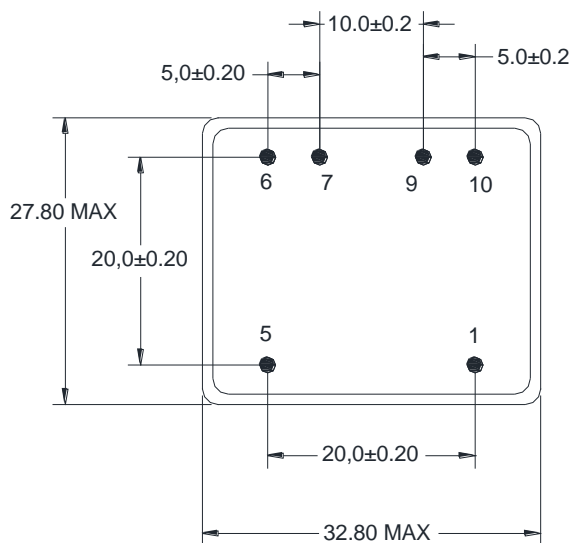
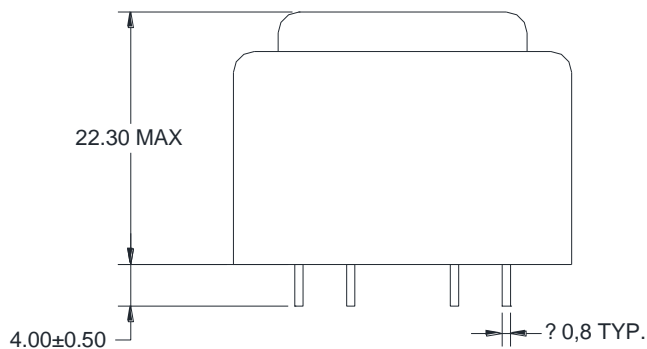
ORDERING CODE



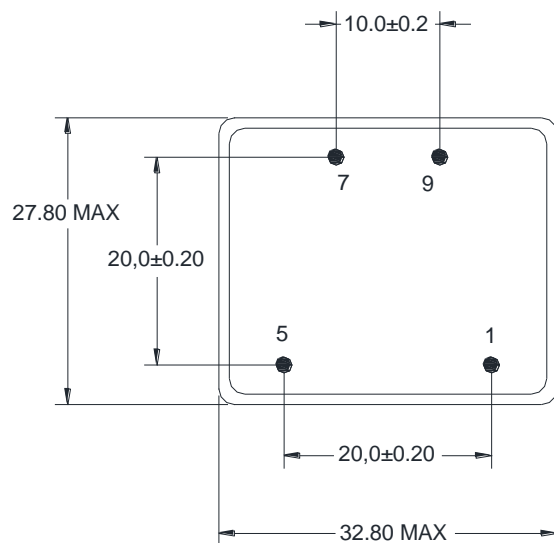
FEATURES

- VDE,UL5085-1,-2,-3,CE Approved:
 - UL file No. E177998
 - VDE file No.: 40022230
 - CQC file No.: CQC09001030821
- Vacuum Filling
- Split Bobbin Design
- Self-Extinguishing Plastics UL94V-0
- Dielectric Strength 4200Vrms
- Inherently Energy Limited
- Resin Class B IEC 85
 - (20,000 h Testing to IEC 216)
- Conforms to EN 61558 and EN 60950
- 100% Production Tested

OUTLINE DIMENSIONS

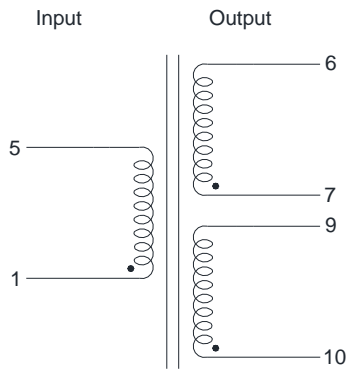


Dual outputs

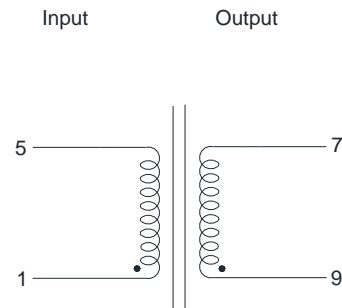


Single output

SCHEMATIC DIAGRAM:



Dual outputs



Single output

ELECTRONIC SPECIFICATIONS

Order Number	Input Voltage	SEC.Voltage (Vac)	Rated Power (VA)	No-load Voltage (V)	Ambient TEMP. (°C)	Weight (g)	Certificate			
							VDE	UL	CQC	CE
BV301S06015A	115V 50/60Hz	6	1.5	10.1 Max	T 40 B	70	●	★		●
BV301S09015A	115V 50/60Hz	9	1.5	15.3 Max	T 40 B	70	●	★		●
BV301S10015A	115V 50/60Hz	10	1.5	15.8 Max	T 40 B	70	●	★		●
BV301S12015A	115V 50/60Hz	12	1.5	20.2 Max	T 40 B	70	●	★		●
BV301S15015A	115V 50/60Hz	15	1.5	25.3 Max	T 40 B	70	●	★		●
BV301S18015A	115V 50/60Hz	18	1.5	31.2 Max	T 40 B	70	●	★		●
BV301S24015A	115V 50/60Hz	24	1.5	42 Max	T 40 B	70	●	★		●
BV301D06015A	115V 50/60Hz	2x6	1.5	2x10.1Max	T 40 B	70	●	★		●
BV301D09015A	115V 50/60Hz	2x9	1.5	2x15.3 Max	T 40 B	70	●	★		●
BV301D10015A	115V 50/60Hz	2X10	1.5	2x15.8 Max	T 40 B	70	●	★		●
BV301D12015A	115V 50/60Hz	2x12	1.5	2x20.2 Max	T 40 B	70	●	★		●
BV301D15015A	115V 50/60Hz	2x15	1.5	2x25.3 Max	T 40 B	70	●	▲		●
BV301D18015A	115V 50/60Hz	2x18	1.5	2x31.2 Max	T 40 B	70		▲		●
BV301D24015A	115V 50/60Hz	2x24	1.5	2x42 Max	T 40 B	70		▲		●
BV302S06015A	230V 50/60Hz	6	1.5	10.1 Max	T 40 B	70	●	★	●	●
BV302S09015A	230V 50/60Hz	9	1.5	15.3 Max	T 40 B	70	●	★	●	●
BV302S10015A	230V 50/60Hz	10	1.5	15.8 Max	T 40 B	70	●	★	●	●
BV302S12015A	230V 50/60Hz	12	1.5	20.2 Max	T 40 B	70	●	★	●	●
BV302S15015A	230V 50/60Hz	15	1.5	25.3 Max	T 40 B	70	●	★	●	●
BV302S18015A	230V 50/60Hz	18	1.5	31.2 Max	T 40 B	70	●	★	●	●
BV302S24015A	230V 50/60Hz	24	1.5	42 Max	T 40 B	70	●	★	●	●
BV302D06015A	230V 50/60Hz	2x6	1.5	2x10.1Max	T 40 B	70	●	★	●	●
BV302D09015A	230V 50/60Hz	2x9	1.5	2x15.3 Max	T 40 B	70	●	★	●	●
BV302D10015A	230V 50/60Hz	2X10	1.5	2x15.8 Max	T 40 B	70	●	★	●	●
BV302D12015A	230V 50/60Hz	2x12	1.5	2x20.2 Max	T 40 B	70	●	★	●	●
BV302D15015A	230V 50/60Hz	2x15	1.5	2x25.3 Max	T 40 B	70	●	▲	●	●
BV302D18015A	230V 50/60Hz	2x18	1.5	2x31.2 Max	T 40 B	70		▲		●
BV302D24015A	230V 50/60Hz	2x24	1.5	2x42 Max	T 40 B	70		▲		●